



BEVERAGE-AIR®

| | |
|-----------------|------|
| Project: _____ | AIA# |
| Item: _____ | |
| Location: _____ | SIS# |
| Approved: _____ | |

MT21™ MERCHANDISER: HINGED DOOR MODEL

MARKETEER™ MERCHANDISERS

MT21 White Hinged Door Model
Hydrocarbon Series

**MODEL:
MT21-1W**



**5 Year Parts/Labor Warranty Available
7 Year Compressor Warranty**

CABINET CONSTRUCTION

- Standard cabinet exterior finish is heavy duty steel with a white baked on durable coating
- Heavy duty interior construction includes white coated steel
- Mechanical temperature control
- One piece grille
- Double pane lowE argon filled glass doors feature outside pane that is tempered for added safety
- Self-closing glass doors with pocket door handles
- LED lighting
- Eight (8) shelves standard
- Leveling feet

OPTIONS & ACCESSORIES

- 3 Year parts/labor standard, additional 2 year warranty available
- Extra shelves and clips

REFRIGERATION SYSTEM

- Refrigeration system uses R290 refrigerant to comply with all environmental standards
- Low maintenance condenser



Please verify qualifying units by visiting:
www.energystar.gov/cfs

3779 Champion Blvd., Winston-Salem, NC 27105
1-888-845-9800 Fax: 1-336-245-6453
Beverage-Air.com Sales@bevair.com



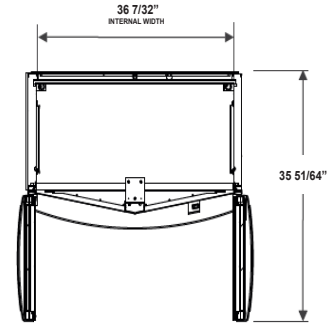
BEVERAGE-AIR

| MODEL | MT21-1W |
|----------------------------------|-------------------|
| EXTERNAL DIMENSIONAL DATA | |
| Width Overall | 39 1/8" |
| Depth Overall | 24 1/2" |
| Height Overall | 61 7/32" |
| Number of Doors | 2 |
| Depth with Door Open 90° | 35 51/64" |
| Door Openings | 19 1/3" x 44 3/4" |
| INTERNAL DIMENSIONAL DATA | |
| NET Capacity (cubic ft.) | 16.77 |
| Internal Width Overall (in) | 36 7/32" |
| Internal Depth Overall (in) | 17 23/32" |
| Internal Height Overall (in) | 39 3/4" |
| Internal Height Useable (in) | 36 19/32" |
| Number of Shelves | 8 |
| ELECTRICAL DATA | |
| Full Load Amperes 115/60/1 | 3.6 |
| REFRIGERATION DATA | |
| Horsepower | 1/3 |
| Charge (lbs/grams) | 0.1433/65 |
| WEIGHT DATA | |
| Gross Weight - Crated | 308 lbs |
| Height - Crated | 80" |
| Width - Crated | 43" |
| Depth - Crated | 28" |

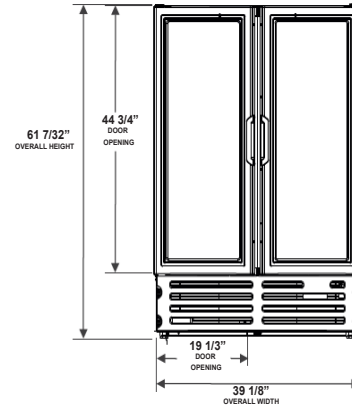
Glass Hinged Door Model Model: MT21-1W

Model Views

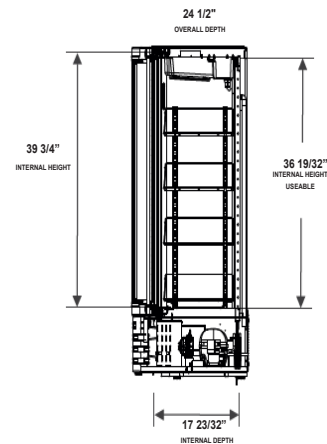
Clearances: 4" Top, Rear, Left and Right Side



PLAN VIEW



ELEVATION VIEW



SIDE VIEW

ELECTRICAL CONNECTION



115/60/1
NEMA 5-15P

Unit pre-wired at factory and include 8' long cord and plug set.

